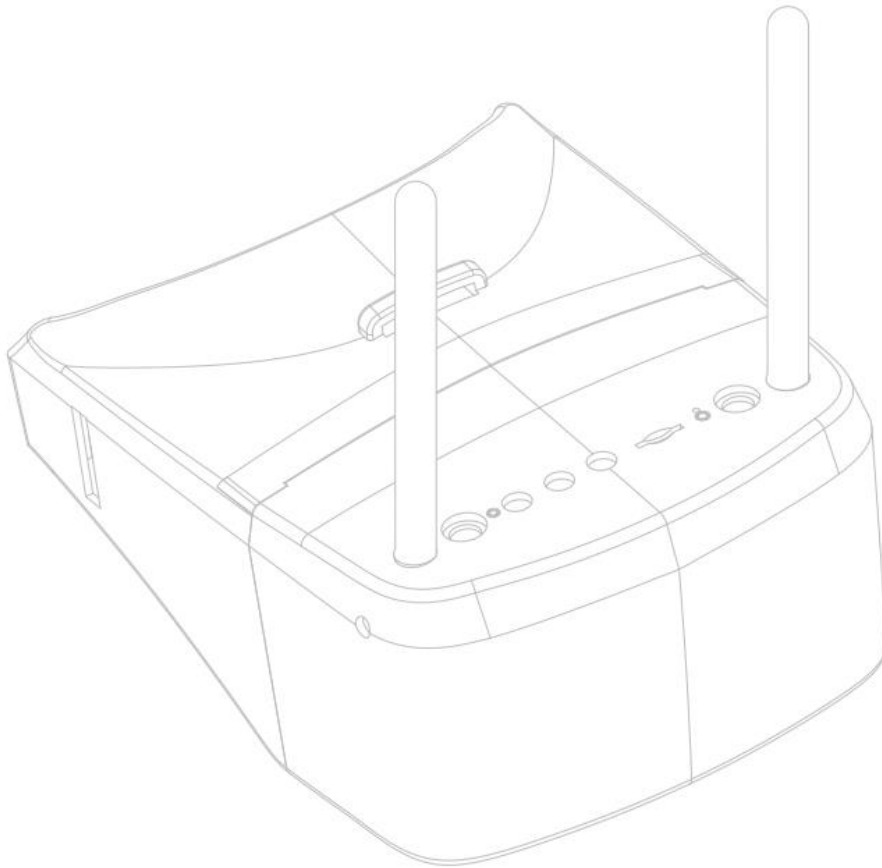


SwellPro FPV Goggle

User Manual



SwellPro

Visit www.swellpro.com for the latest version of this manual and firmware updates for your drone and accessories.

V1.0 – 2021.05

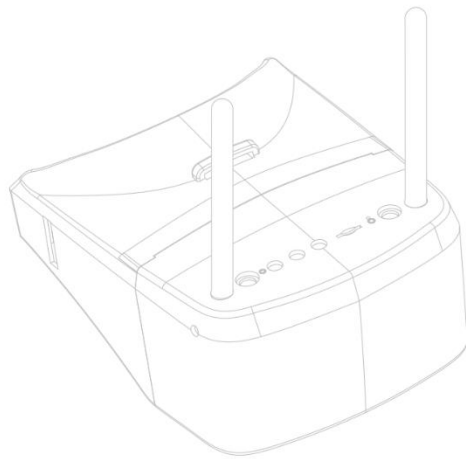
Contents

CONTENTS	2
PRODUCT OVERVIEW	3
In the Box.....	3
Product Diagram	4
Keys Description	5
OSD Interface.....	6
OPERATION	6
Quick Start	6
Menu settings	7
Channel Searching	7
Recording	8
Playback View	8
Deploy.....	9
SPECIFICATIONS	10
List of channels.....	10
Specifications	10
Version Information.....	11

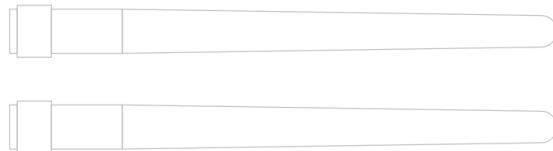
Product Overview

GL1 is the carefully crafted FPV Goggle by SwellPro. It features smooth, high-definition wireless graphics transmission to give you an immersive fly experience. The modular, easy-to-assemble design allows you to enjoy the visual experience in different forms. More flight and operation guides are available on www.swellpro.com.

In the Box



FPV Goggle GL1 x1



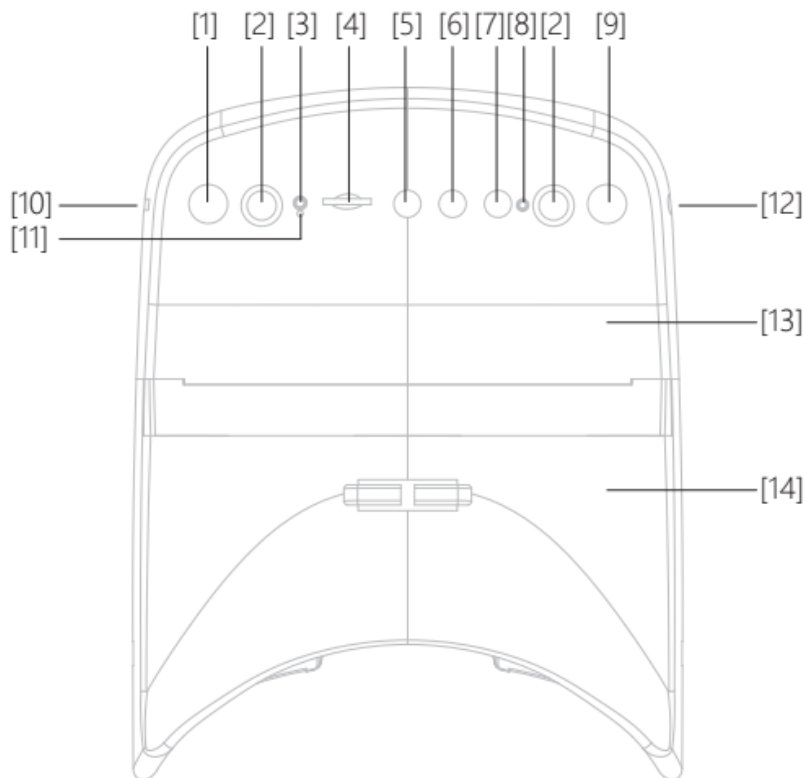
5.8G Antenna x2



USB Charging Cable x1



Product Diagram



- | | |
|--------------------------------|-------------------------------|
| [1] Search/ Delete | [8] Record indicator |
| [2] Antenna ports: RP-SMA male | [9] Band adjustment / Forward |
| [3] Charging indicator | [10] Micro USB charging port |
| [4] Micro SD slot | [11] OFF |
| [5] Menu / Power | [12] Headphone jack |
| [6] Channel adjustment/Back | [13] Display module |
| [7] Record ON/OFF | [14] Headset module |

Detach the display and headset modules: hold display module [13] tight with one of your hands. Push down the headset module [14] using the other hand. The display module can be used separately on the remote control or a tripod to your preference.

Keys Description

Search [1]

Automatic-searching: in preview, press the search key to search channels, the screen will display "AUTO SEARCHING...", when the searching is complete, the screen will show the channel information. If the display is flickering, press the Search key to search the channels again until the display is clear and stable.

OFF [11]

Press the OFF key with a pin to power off when experiencing a system crash.

MENU / POWER [5]

Power ON/OFF: Press and hold the MENU key for 2 seconds to power on the device. To power off the device, press and hold the MENU key for 2 seconds and the device is going to shut down.

Menu: in preview, press the MENU key to enter the menu settings and then press the MENU key to cycle through settings.

CH+ [6]

Channel adjustment: in the preview, press the CH+ key to turn the channel from CH-1 to CH-8.

Decrease values: Under the menu settings, press the CH+ to decrease values.

Go back/play backward: in playback view, press CH+ to select the previous file. In video playback, press the CH+ to play backward.

REC [7]

Recording: In preview, press REC to start recording and then press again to stop recording.

Play/Pause: in video playback view, press REC to play and pause the video.

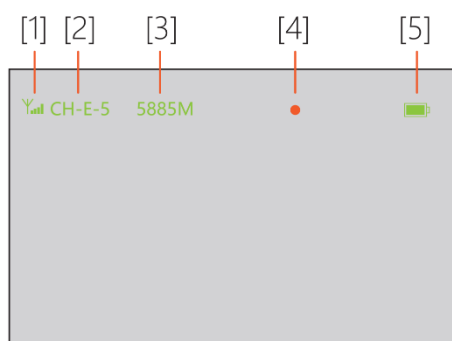
Band+ [9]

Band adjustment: in the preview, press Band+ to switch between bands A, B, E, F, and R.

Increase values: Under the menu settings, press Band+ to increase the value.

Next file/fast forward: in playback view, press Band+ to go to the next file. In video playback, press Band+ to go fast forward.

OSD Interface



Preview Interface

[1] Wireless signal strength

[2] Channels

[3] Signal frequency

[4] Recording indicator

[5] Battery level

Operation

Quick Start

- Charge GL-1 with the included USB charging cable to fully charge (when charging, the charging indicator turns red; when fully charge, and the charging indicator turns green).
- Install 2 included antennas, if you need to record videos, install the memory card.
- Press and hold the Power key for 3 seconds to power on the device.
- Press the Search key to auto search and configure the channel.

Menu settings

In preview, press the MENU key to enter the menu settings, where you can configure system settings. Press the MENU key to circle through different settings.

Playback view: under menu settings, press CH+ or Band+ to go to playback view to browse the recorded videos.

Menu settings:

DVR	
Brightness	50
Contrast	50
Color	50
Sharpness	20
Backlight	50
Volume	10
REC Size	VGA/D1/HD
REC Sound	On /OFF
REC Time	OFF/3min/5min/10min
Format	
Language	Chinese / English
Default	
Version	

Channel Searching



Automatic search interface

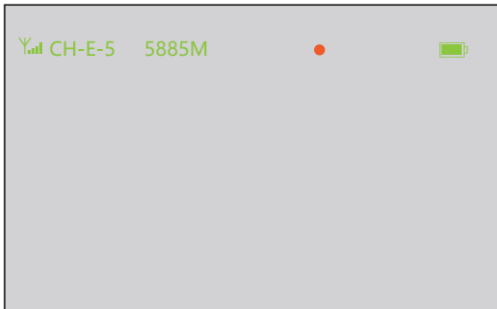
If you don't know the exact channel of the transmitter, in preview, press the Search key to auto-search the channel.



Manual search interface

If you know the exact channel of the transmitter, in preview, adjust the band by pressing the Band+ key, then press the CH+ key to find the exact channel.

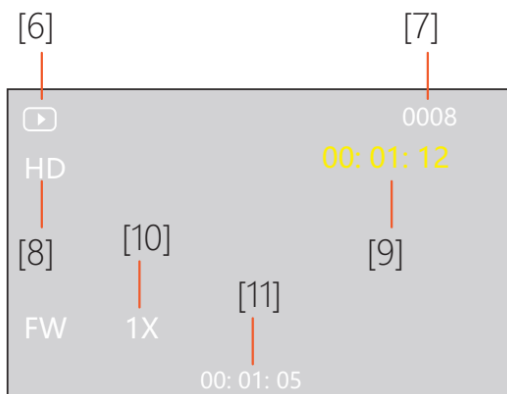
Recording



The recording interface

In preview, press REC to start recording, red dot indicates recording is in process. Press again to finish recording.

Playback View



Playback interface

- [6] Playback mode
- [7] File number
- [8] File properties
- [9] Video length
- [10] Fast forward or backward
- [11] Video timeline

Press MENU to enter the menu settings. On DVR, press CH+ to enter playback mode.

- Switch files: press CH+ to switch files.
- Delete files: press the Search key to pop up "Delete?", then press the Search key again to confirm the deletion of the current file. If you want to cancel the deletion, press the CH+ key to dismiss.
- Play/Pause: Press the REC key to start playing the video, press the REC key again to pause.
- Fast forward/backward: press Band+ to play 1x, 2x, 4x, 8x forward. Press CH+ to play 1x, 2x, 4x, 8x backward.

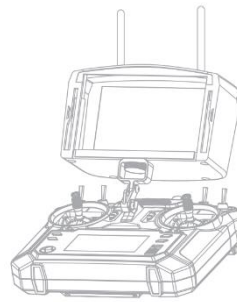
Deploy

FPV Goggle Mode

Use the Goggle as a whole to get the immersive FPV flight experience.

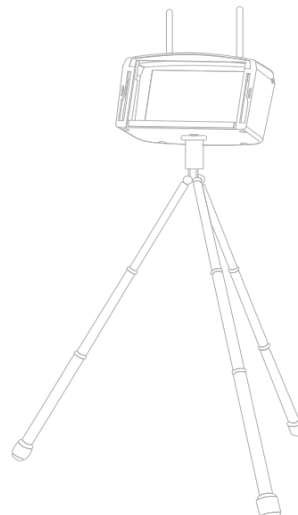
Remote Control Stand

Detach the display module from the headset. The display module can be mounted to the remote control using the FD1 remote control connector.



Tripod Mode

The display module can also be mounted to any tripod using the M6 tripod screw.



Specifications

List of channels

Unit: MHz

Band	CH1	CH2	CH3	CH4	CH5	CH6	CH7	CH8
A	5865	5845	5825	5805	5785	5765	5745	5725
B	5733	5752	5771	5790	5809	5828	5847	5866
C	5705	5685	5665	5645	5885	5905	5925	5945
D	5740	5760	5780	5800	5820	5840	5860	5880
E	5658	5695	5732	5769	5806	5843	5880	5917

Specifications

GL1	
Screen Size	5"
Resolution	800*480
Display Ratio	16:9
Brightness	300 cd/m ²
Transmission Delay	Less than 20ms
Lens	8x Fresnel lens with a transmittance of 92%.
Antenna	RP-SMA male x2
USB	Charging only (max current is 500mA).
Card Slot	TF card with a maximum storage of 64G (C10 recommended).
Recording Resolution	VGA/D1/HD configurable
REC Sound	ON/OFF
Recording time	OFF/3min/5min/10min
Frame rate	30 fps
Compression format	MJPEG
Video Format	AVI
Language	English / Chinese
Charging	DC 5V/2A
Battery	3.7V/2000mAh DVR on: battery life is approximately 2.5 hours DVR off: battery life is approximately 3.5 hours
Power	Preview mode: The device operates at 3.7V, 400mA REC mode: The device operates at 3.7V, 620mA
Dimensions	180mm * 140mm * 84mm
Weight	About 393 g

Version Information

SwellPro products are constantly improving, so as the product user guides. It is recommended to visit www.swellpro.com to check and download the latest user guide.

Version

1.0 SwellPro FPV Goggle User Manual First Edition